

NEAR™



IG-SERIES

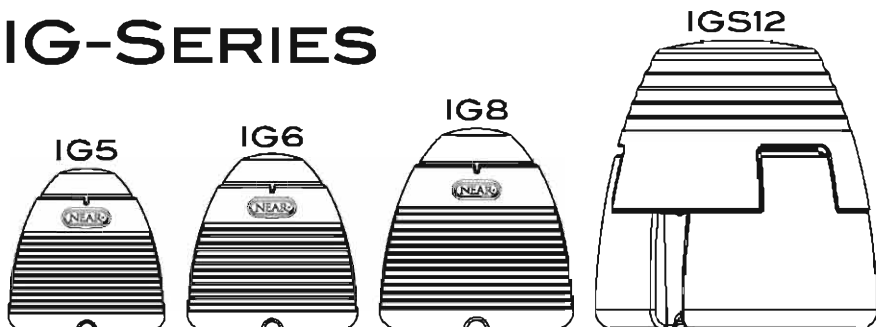
MODELS: IG5, IG6, IG8, AND IGS12

**ALL-ENVIRONMENT IN-GROUND,
OUTDOOR LOUDSPEAKERS
AND SUBWOOFER**

QUICK START INSTALLATION
AND SETUP GUIDE

NEAR™

IG-SERIES



ALL-ENVIRONMENT IN-GROUND, OUTDOOR LOUDSPEAKERS AND SUBWOOFER

The NEAR™ IG-Series Loudspeakers (3 Models: IG5, IG6, & IG8) and Subwoofer (Model: IGS12) are fully-sealed in-ground, outdoor speakers which provide exceptionally natural sound and can withstand nearly all types of environment and weather conditions. The speakers/subwoofer combine two industry leading technologies from NEAR: Metal Diaphragm Technology (MDT), which ensures speaker cone stability in all-environment conditions; and Magnetic Liquid Suspension (MLS), a Ferrofluid seal around the magnet gap and voice coil which provides protection from moisture and corrosion, as well as near-perfect voice coil alignment. In addition, the in-ground bandpass subwoofer design was originally patented by NEAR.

Placement and Sound Quality

Dispersion of the IG speakers is a full 360 degrees! This means that the orientation of the speakers, whether mounted in-ground or on-ground, is not critical. However, by design, the frequency response is smoother throughout the midrange when the enclosures are mounted in the ground, buried up to the NEAR badges on the loudspeaker enclosure. This mounting method also ensures a high level of security once the ground around the enclosure is packed firmly. In addition, as the ground packs more firmly around the speaker enclosure, the bass and midrange clarity improves. This is due to a reduction in the resonance of the molded enclosure which, by virtue of its round shape with extensive ribbing, is already quite inert. The addition of the solid earth around the enclosure, in essence, makes the walls more solid, less resonant, and less of a factor in any coloration of the sound.

The IG-Series is designed in a unique manner so that water will shed evenly off the top of the enclosure. There are several drainage paths from the tweeter and woofer mounts, as well as the channel where the grille is mounted. Even if the speaker is tilted in any direction, water will still drain away efficiently and completely.

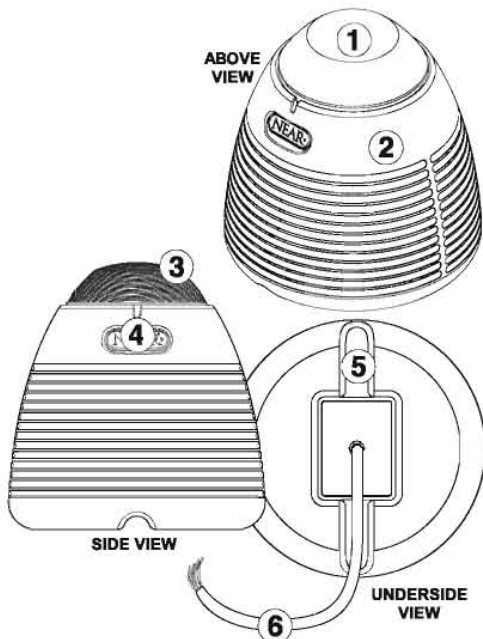
Models IG8, IG6, and IG5 Loudspeaker Features

1. **IG8:** 8-inch Nominal Diameter Metal Alloy Cone Woofer; 1-inch Titanium Alloy Cone Tweeter

IG6: 6-1/2-inch Nominal Diameter Metal Alloy Cone Woofer; 1-inch Titanium Alloy Cone Tweeter

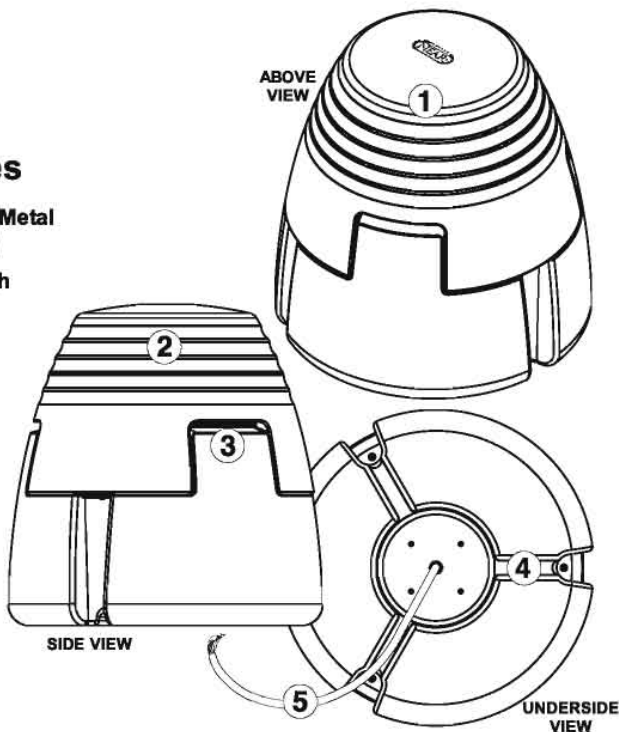
IG5: 5-1/4-inch Nominal Diameter Metal Alloy Cone Woofer; 1-inch Titanium Alloy Cone Tweeter

2. Polyethylene Enclosure with UV Inhibitors
3. Stainless Steel Grille
4. Driver Drainage Canal
5. Wiring/Conduit Channels (underside)
6. Input Connection Cable from Loudspeaker



Model IGS12 Subwoofer Features

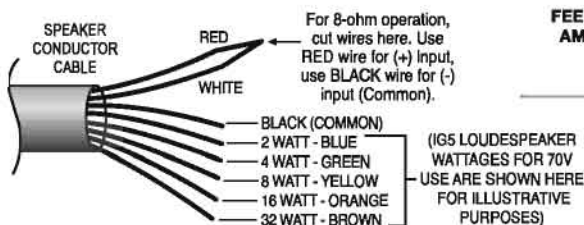
1. 12-inch Nominal Diameter Metal Alloy Cone Woofer (inside)
2. Polyethylene Enclosure with UV Inhibitors
3. Output Vents (3) with Protective Screens
4. Wiring/Conduit Channels (underside)
5. Input Connection Cable from Loudspeaker



1 In-ground Installation and Connection of IG-Series Speakers

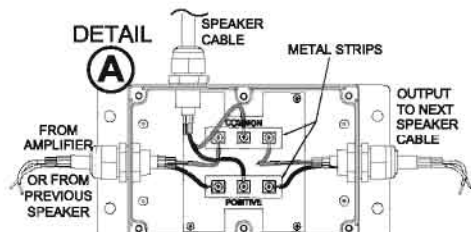
Direct Burial of Cable or Conduit

Depending on the type of installation, direct burial of the speaker cables from the amplifier to the loudspeakers or subwoofer may be adequate, or the use of a 1" to 1-1/2" ID conduit may be required for protecting the wires from possible physical damage if future excavation or other alterations are anticipated in the area of the install. An IG-Series loudspeaker/subwoofer can accommodate either method, including the the entry and exit conduits sliding conveniently under the bottom of the enclosures through provided wiring/conduit channels.



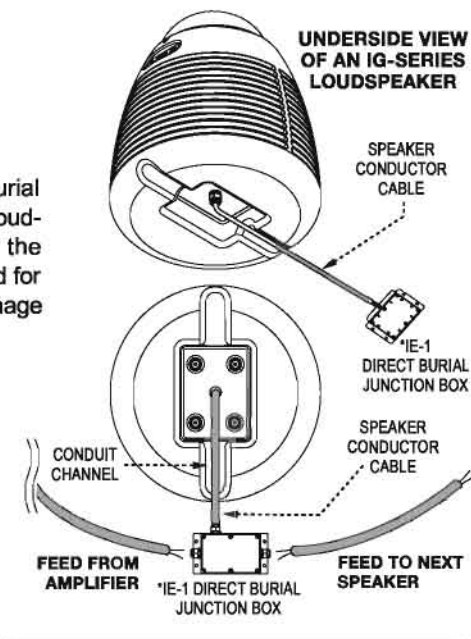
Connections can be protected using one of the following methods:

- Solder connection wires together using waterproof heat shrink tubing to seal
- Make connections with immersion-resistant Crimp Splices (Raychem)
- Using Grease Wire Caps, available from several suppliers (Orbit, Toro Irrigation, etc.)
- **RECOMMENDED:** Optional NEAR Model IE-1 Direct-Burial Junction Box (IP67 Rated) convenient access to connections (Detail A)

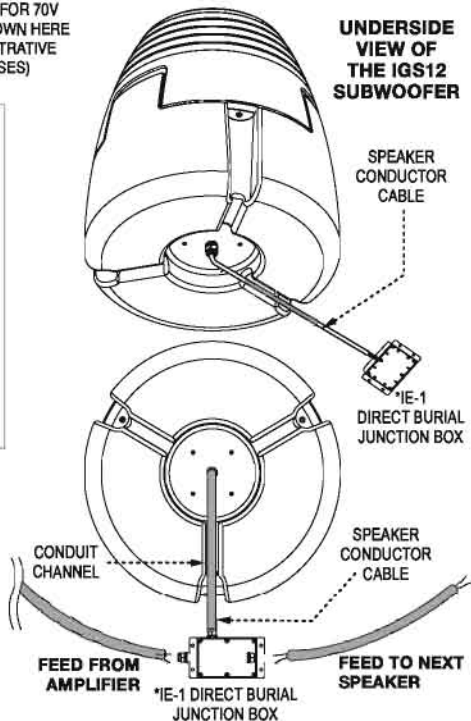


*OPTIONAL: ORDER SEPARATELY

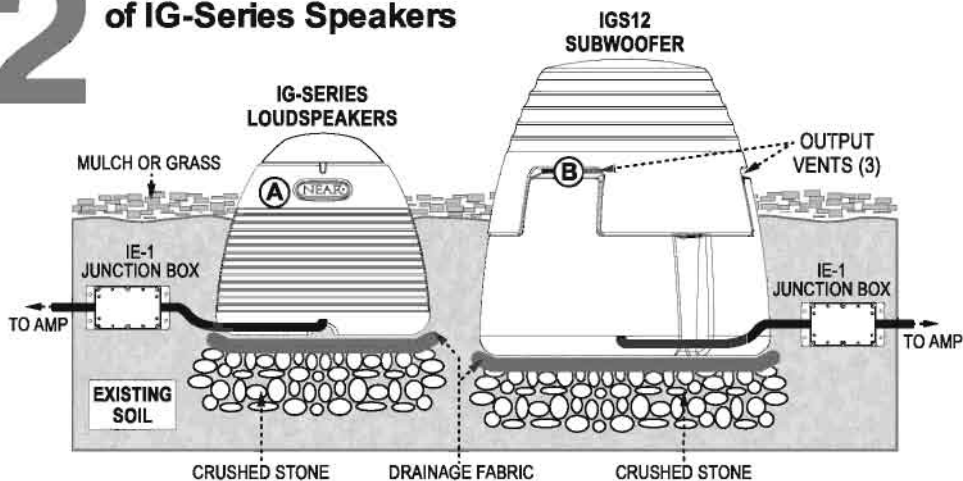
LOUDSPEAKER



SUBWOOFER



2 In-ground Mounting/Burial of IG-Series Speakers



When excavating for burial of an IG-Series Loudspeaker/Subwoofer select an area that will support the depth needed to accept the enclosures. The IG Loudspeakers' burial depth should be up to the speaker's "NEAR Badge" (A). The IGS12 Subwoofer's burial depth should be just below the 3 Output Vents (B) and should not be obstructed by gravel, stone or mulch. In addition to the depth the speaker requires as above instructed, it is recommended that further excavation be made beneath each enclosure so that 6 inches of crushed stone can be added to provide proper drainage. Some type of standard drainage fabric should then be placed as a buffer between the speaker and the crushed stone base.

3 In-ground Install Angles of IG-Series Loudspeakers

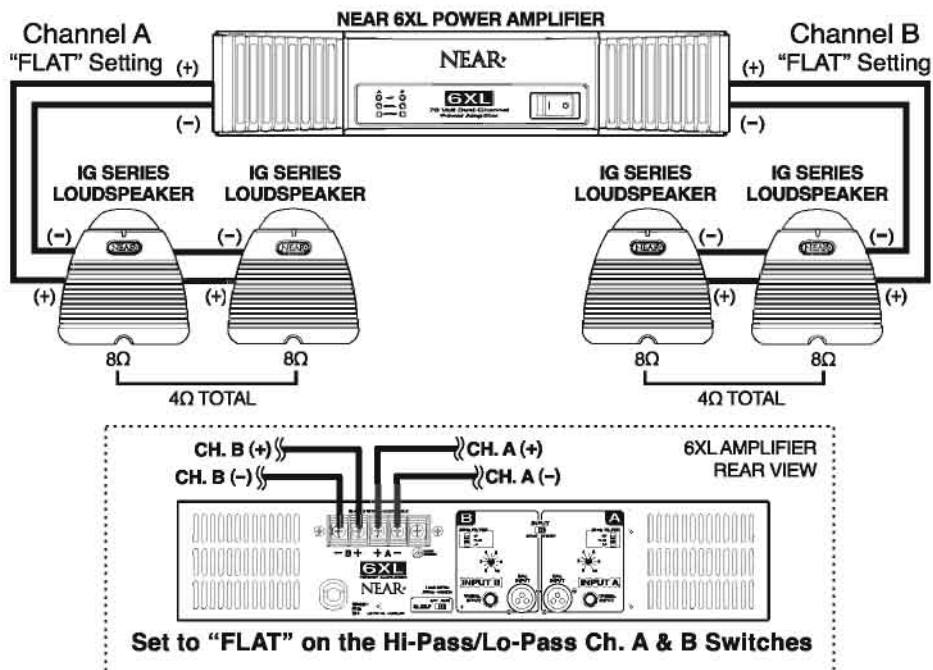


The IG-Series Loudspeakers were designed with a slightly angled driver so that even if the enclosure is situated on a level plane (see Install 1 & 2) any accumulated moisture can be channeled out of the speaker through the two Drainage Canals (A) located on either side of the speaker. Even if choosing a more sloped install angle (Install 3), the speaker will still drain water from the driver when Drainage Canal is angled downward (B).

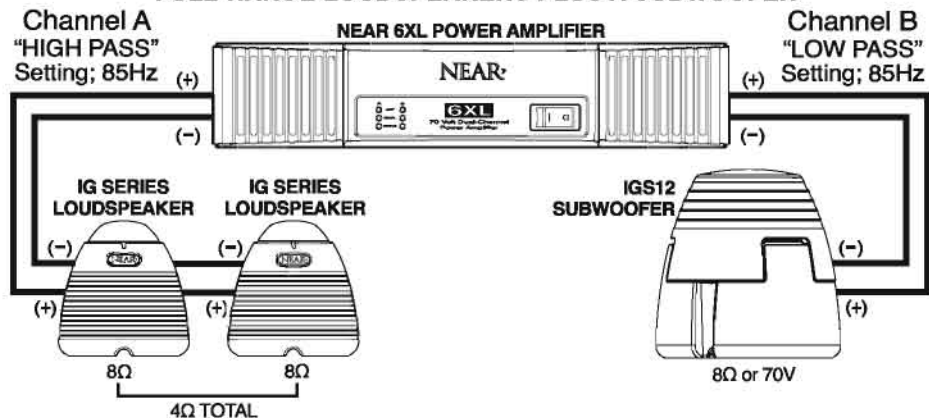
4

Wiring Connection Setup Examples for IG-Series

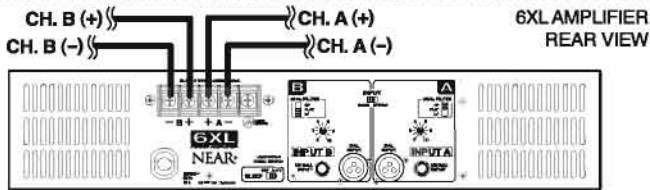
EXAMPLE OF AN 8-OHM SYSTEM CONFIGURATION ALL FULL-RANGE LOUDSPEAKERS



EXAMPLE OF AN 8-OHM SYSTEM CONFIGURATION FULL-RANGE LOUDSPEAKERS PLUS A SUBWOOFER

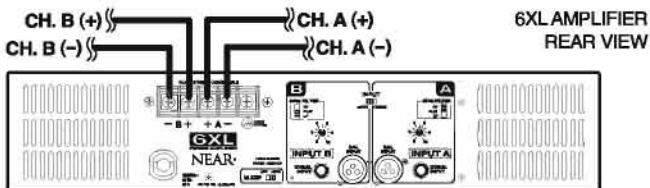
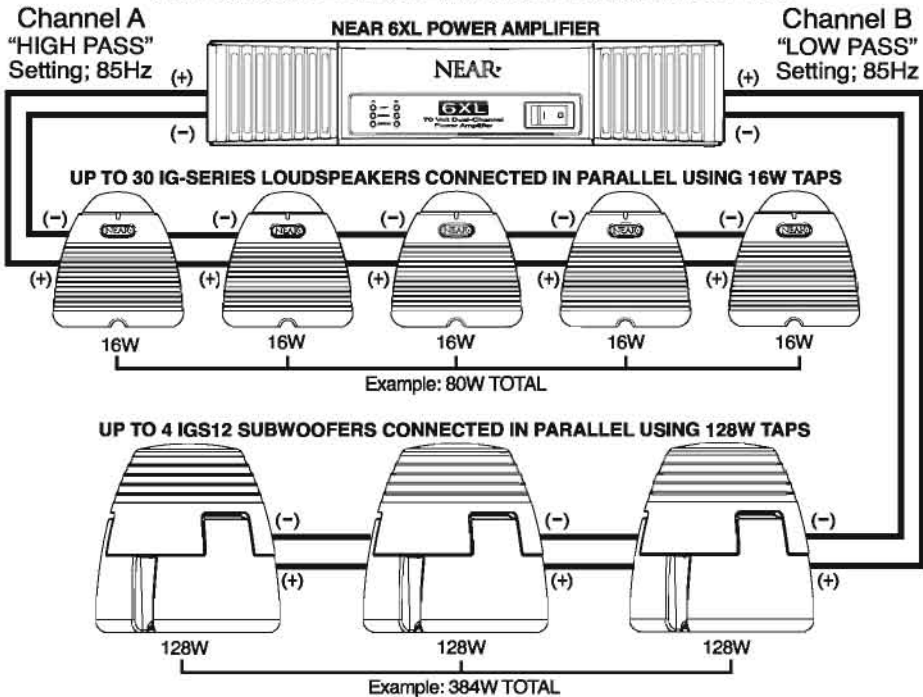


4



Set to "HIGH PASS" on Ch. A; "LOW PASS" on Ch. B
Set Input to "MONO"

EXAMPLE OF A 70V SYSTEM CONFIGURATION FULL-RANGE LOUDSPEAKERS PLUS SUBWOOFERS



Set to "HIGH PASS" on Ch. A; "LOW PASS" on Ch. B
Set Input to "MONO"



WARNING: Customer is responsible for the wiring materials to/from amplifier and to/from other speakers/subwoofers, as well as the selection of the installation area. It is recommended that a professional be consulted when connecting speakers if the installer does not have sufficient knowledge in working with electrical components.

LIMITED WARRANTY: Exclusion of Certain Damages

The **NEAR® IG-Series Loudspeakers & Subwoofer** are warranted to be free from defects in material and workmanship for 5 (five) years from the date of sale to the original purchaser. Any part of any NEAR product covered by this warranty that, with normal installation and use, becomes defective (as confirmed by Bogen upon inspection) during the applicable warranty period, will be repaired or replaced by Bogen, at Bogen's option, provided the product is shipped insured and prepaid to: Bogen Factory Service Department, 50 Spring Street, Ramsey, NJ 07446, USA. Repaired or replacement product will be returned to you freight prepaid. This warranty does not extend to any of our products that have been subjected to abuse, misuse, improper storage, neglect, accident, improper installation or have been modified or repaired or altered in any manner whatsoever, or where the serial number or date code has been removed or defaced.

THE FOREGOING LIMITED WARRANTY IS BOGEN'S SOLE AND EXCLUSIVE WARRANTY AND THE PURCHASER'S SOLE AND EXCLUSIVE REMEDY FOR NEAR PRODUCTS. BOGEN MAKES NO OTHER WARRANTIES OF ANY KIND, EITHER EXPRESS OR IMPLIED, AND ALL IMPLIED WARRANTIES OF MERCHANTABILITY OR FITNESS FOR A PARTICULAR PURPOSE ARE HEREBY DISCLAIMED AND EXCLUDED TO THE MAXIMUM EXTENT ALLOWABLE BY LAW. Bogen's liability arising out of the manufacture, sale or supplying of NEAR products or their use or disposition, whether based upon warranty, contract, tort or otherwise, shall be limited to the price of the product. **IN NO EVENT SHALL BOGEN BE LIABLE FOR SPECIAL, INCIDENTAL OR CONSEQUENTIAL DAMAGES (INCLUDING, BUT NOT LIMITED TO, LOSS OF PROFITS, LOSS OF DATA OR LOSS OF USE DAMAGES) ARISING OUT OF THE MANUFACTURE, SALE OR SUPPLYING OF NEAR PRODUCTS, EVEN IF BOGEN HAS BEEN ADVISED OF THE POSSIBILITY OF SUCH DAMAGES OR LOSSES.** Some States do not allow the exclusion or limitation of incidental or consequential damages, so the above limitation or exclusion may not apply to you. This warranty gives you specific legal rights, and you may also have other rights which vary from State to State.

NEAR products that are out of warranty will also be repaired by the Bogen Factory Service Department -- same address as above or call 201-934-8500. The parts and labor involved in these repairs are warranted for 90 days when repaired by the Bogen Factory Service Department. All shipping charges in addition to parts and labor charges will be at the owner's expense. All returns require a Return Authorization number. For most efficient warranty or repair service, please include a description of the failure.

Products manufactured and labeled by other companies may be covered by warranties offered by such companies. Please call Bogen Customer Service or refer to product packaging for manufacturer's warranty for non-NEAR branded products.

7/22/2008



YOU MUST ACCURATELY FOLLOW THE INSTRUCTIONS FOR ALL THE PARTS INVOLVED IN THIS INSTALLATION. FAILURE TO DO SO CAN CAUSE SERIOUS INJURY OR DEATH TO YOURSELF OR OTHERS AND MAY EXPOSE YOU TO POSSIBLE LEGAL ACTION.

NEAR™
NOTHING COMES CLOSER

www.nearspeakers.com

50 Spring Street, Ramsey, NJ, USA • Tel. (855) 350-6327

NEAR is a Division of Bogen Communications, Inc.